



Loudspeakers

# Up 6

Two-way passive, full-range 6" ceiling speaker



Optimal Audio

## FEATURES

- 6" Coaxial driver
- Discreet size
- Unobtrusive Design
- 8 ohm or 70/100V line operation
- Range of power taps
- Wide Conical Coverage Pattern
- Integrated Mounting Hardware

Up 6 is a no-compromise two-way, passive 6" ceiling speaker delivering consistent coverage and full frequency sound to a wide range of cost conscious, commercial environments that require higher sound pressure levels from hotels and concourses to retail outlets, bars and restaurants.

An integral fixing system is included to achieve a simple and clean installation. Up 6 has a steel back can, perforated steel grill and is finished in neutral white.

Up 6 features a 6" (162mm) low frequency driver paired with a 0.7" (20mm) metal dome tweeter. It is suitable for both high quality speech

and music reproduction. A conical 110° coverage pattern delivers consistent, high performance sound where it needs to go.

Each Up 6 can be run on a series of 70 or 100 Volt taps or at low impedance. The 16 ohm setting allows up to four units to be connected to each amplifier channel at low impedance. Tap selection is via a rotary switch behind the removable grille.

SmartAmps or Zone will provide optimal performance and loudspeaker protection. When coupled with the Zone series, a ZonePad and the WebApp makes setting up a system and end user control simple and intuitive.



## APPLICATIONS



Cafes



Bars/  
Restaurants



Retail



Wedding  
Venues



Hotels



Education  
Facilities



Houses of  
Worship



Corporate  
Offices



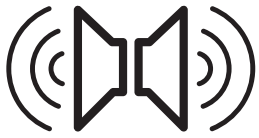
Museums



Fitness Studios



Residential



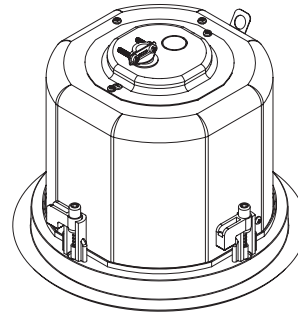
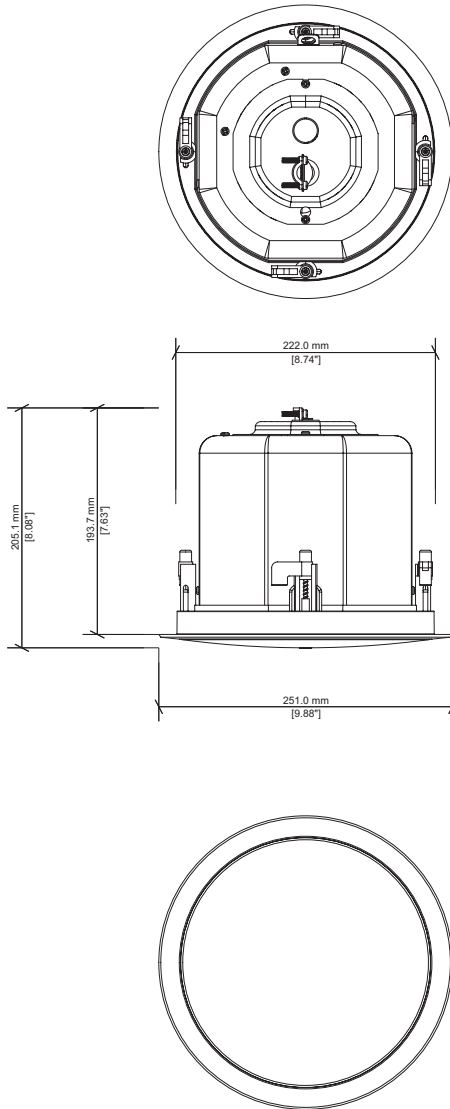
Loudspeakers

# Up 6

Two-way passive, full-range 6" ceiling speaker



Optimal Audio



## SPECIFICATIONS

TYPE	: Two-way, full range, passive, ceiling speaker
FREQUENCY RESPONSE (with preset)	: 115Hz - 18kHz ± 3dB -10dB @ 80Hz
DRIVERS	: LF: 6.5" (162mm), Coated paper HF: 1" (25mm) exit/ 0.7" (20mm) Metal dome
RATED POWER	: 30W (AES) 60W (Peak)
NOMINAL IMPEDANCE	: 16Ω
SENSITIVITY (1W/1m)	: 90dB
MAXIMUM SPL	: 108dB (cont), 111dB (peak)
CROSSOVER	: 2.7kHz passive
RECOMMENDED HIGH-PASS FILTER	: 24dB/octave @ 80Hz
TRANSFORMER TAPS @ 70V	: 60, 30, 15, 7.5W
TRANSFORMER TAPS @ 100V	: 60, 30, 15W
DISPERSION (-6dB)	: 110° conical
BACK CAN	: Zinc-plated Steel
BAFFLE	: ABS
PROTECTIVE GRILLE	: Perforated steel with cloth backing
FIRE RATING	: UL94-V0
CONNECTORS	: 4 Pin Euroblock with link out
FITTINGS	: C-ring support backing plate
DIMENSIONS (inc. Grille)	: (Ø) 251mm x (D) 205.1mm (Ø) 9.88" x (D) 8.08"
CUT-OUT DIAMETER	: 222mm (8.74")
WEIGHT	: 3.0kg (6.6lbs)
INCLUDED ACCESSORIES	: 2 tile support rails (for 2 ft or 600 mm tile spans), cutout template, paint shield, removable locking multi-pin connector
RECOMMENDED SUB	: Sub 10
RECOMMENDED AMPLIFIER	: Zone 4P, Zone 8P or SmartAmp series



Paint Finish



Weight

[optimal-audio.co.uk](https://optimal-audio.co.uk)

© 2021. Optimal Audio Group Ltd.